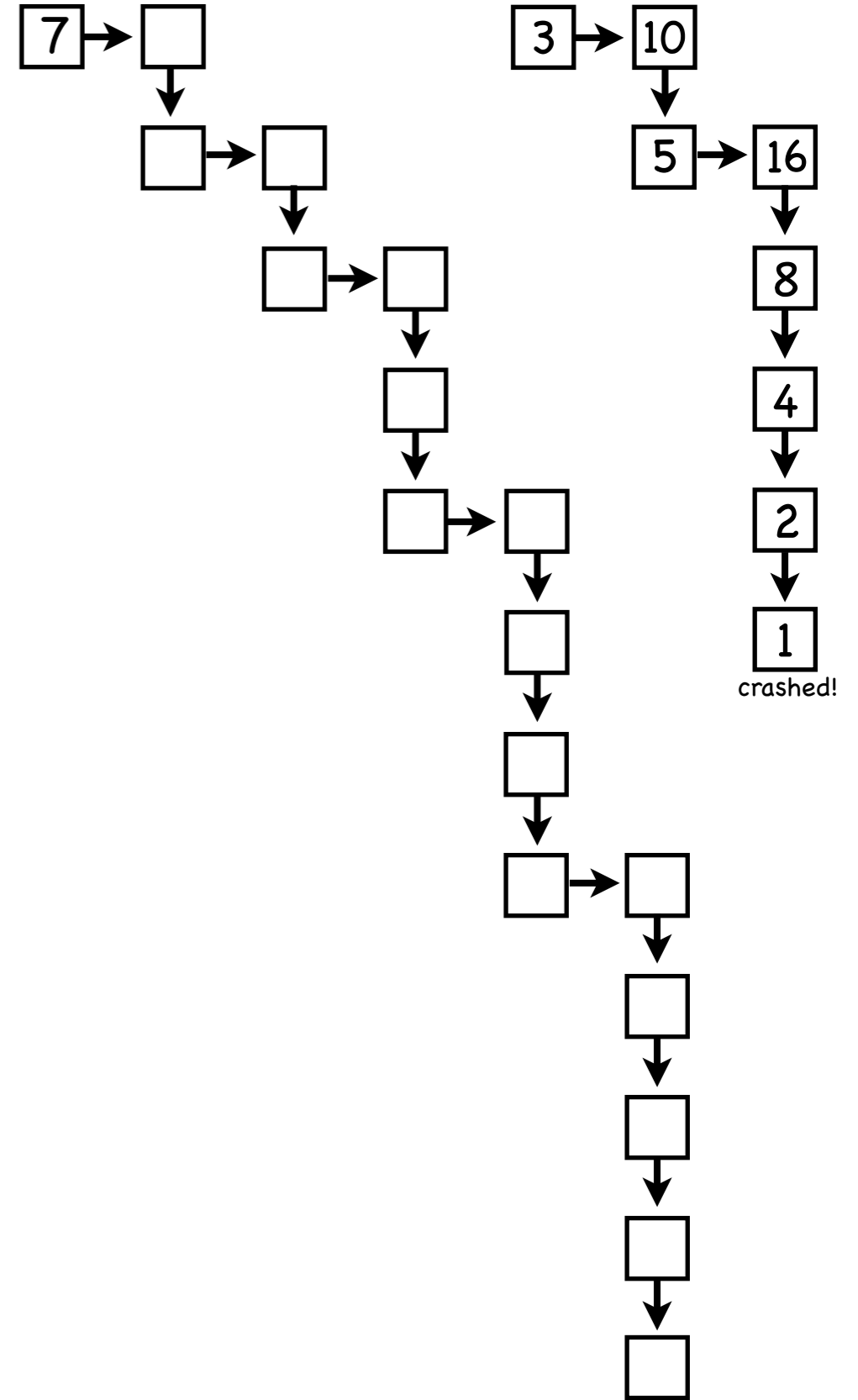


Icarus



↓ If even, then halve it.

→ If odd, then triple it and add one.

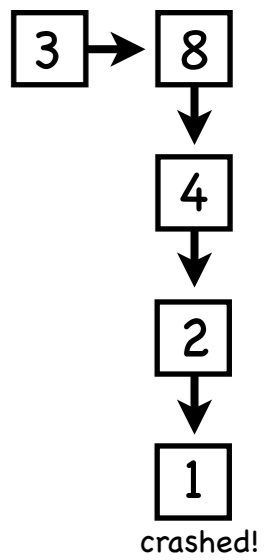
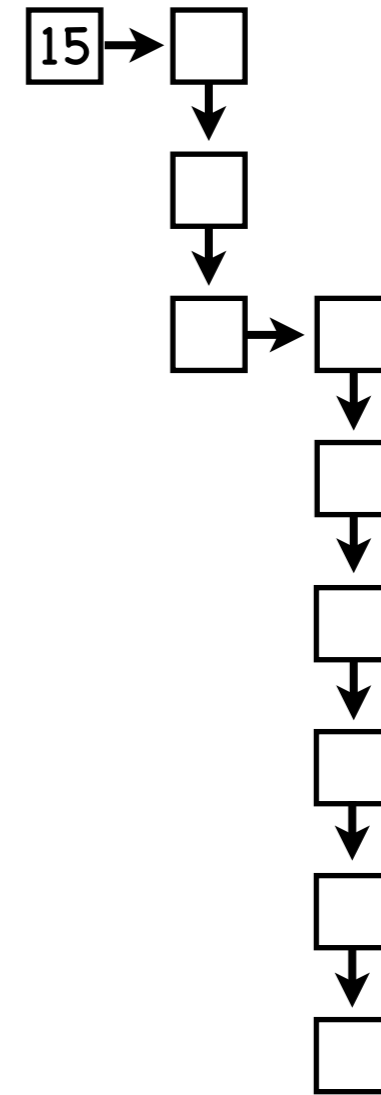


First try to save Icarus with the number 7. Then, if it doesn't work, experiment with a number of your own choosing. Try to save Daedalus if you fail.

Daedalus

↓ If even, then halve it.

→ If odd, then triple it and subtract one.



First try to save Daedalus with the number 15. Then, if it doesn't work, experiment with a number of your own choosing. If you can't decide, roll a twenty sided dice to help make your decision.

Icarus

↓ If even, then halve it.

→ If odd, then triple it and add one.

